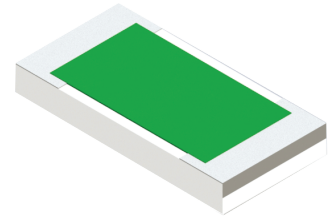


RK1206ZZ-XXXXWN-96 Features:

- 1/4 Wraparound Terminal Configuration
- Solder or Epoxy Attachment
- Customer Defined Testing Available
- RoHS Compliant or SnPb Available
- Tape & Reel or Waffle Pack Available (Standard is bulk)

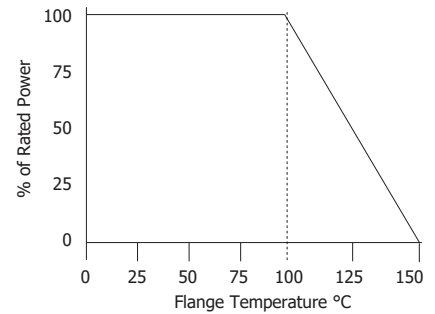


RK1206ZZ-XXXXWN-96 Parameters:

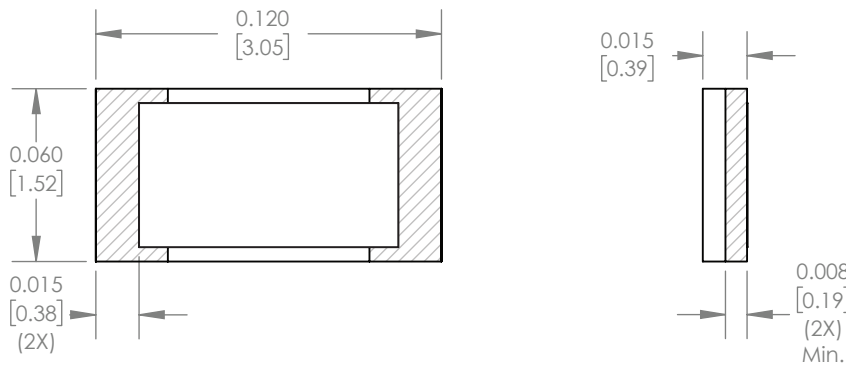
Resistance Range: 0.5Ω to 1MΩ
 CW Rated Power: 2W*
 Construction: Thick Film on BeO
 Operating Temperature: -55 to +150°C

* Rating based on ≤100°C constant baseplate temperature

RK1206ZZ-XXXXWN-96 Power Derating Curve



RK1206ZZ-XXXXWN-96 Dimensions:



Dimensions in inches [mm]
 Tolerance is ± 0.005 [0.127] unless otherwise stated

Ordering Information:

| | | | | | | | | |
|---|-------------|-----------|--|--|--|----------|------------------------------|---|
| RK | 1206 | ZZ | - XXXX | W | N | - | 96 | UU |
| Prefix for Resistor w/ 1/4 Wraparound Terminals | | | | | | | | |
| Size | 1206 | | Value Code Examples R500 - 0.5Ω 1001 - 1KΩ 1R00 - 1Ω 1002 - 10KΩ 10R0 - 10Ω 1003 - 100KΩ 1000 - 100Ω 1004 - 1MΩ | Tolerance F - 1% G - 2% J - 5% K - 10% | Normal Inspection Contact factory for additional options | | Substrate 96 - 0.015" BeO | Packaging Blank - Bulk TR - Tape and Reel WP - Waffle Pack |

Terminal Metallization

| | |
|------|--|
| AS - | SnPb Solder over Platinum Palladium Gold |
| CB - | SnPb Solder over Nickel over Silver |
| CT - | 100% Matte Tin over Nickel over Silver |
| JA - | Gold over Platinum Palladium Gold |

| RoHS | Magnetic | Solder | Epoxy | Wirebond |
|------|----------|--------|-------|----------|
| No | No | Yes | No | No |
| No | Yes | Yes | No | No |
| Yes | Yes | Yes | No | No |
| Yes | No | No | Yes | Yes |

Barry Industries reserves the right to change part number and/or process without notification.

RK1206ZZ-XXXXWN-96 Features:

| Parameter: | Test Condition: | Results: |
|--------------------------------|---|--|
| Short Time Overload | Apply 1.1x Rated Power for 5 Seconds. | ≤ 5.0% Resistance Shift |
| Rated Load Life | Apply 1/2 Power Under 40°C ±2°C 90 Minutes on/ 30 Minutes off. Repeat for 100 hours | ≤ 5.0% Resistance Shift |
| Moisture Resistance | MIL-PRF-55342 para 4.8.9 95% RH, 25°C - 65°C | ≤ 5.0% Resistance Shift |
| Resistance to Soldering Heat | MIL-STD-202 Method 210 and MIL-PRF-55342 Para 4.8.8.1 | ≤ 5.0% Resistance Shift |
| Resistance to Bonding Exposure | MIL-PRF-55342 Para 4.8.8.2 | ≤ 5.0% Resistance Shift |
| Solderability | MIL-PRF-55342 Para 4.8.12 | >95% Covered |
| High Temperature Storage | 125°C ±2°C for 500 Hours | 1.) ≤ 5.0% Resistance Shift 2.) No Significant Abnormality (Visual) |
| Thermal Shock | -65 to +125 30 Minutes Dwell, 5 Cycles | 1.) ≤ 5.0% Resistance Shift 2.) No Significant Abnormality (Visual) |

Barry Industries reserves the right to change part number and/or process without notification.